

# Fact Sheet

## BHA® Replacement Cartridge for the \*Downflo Evolution (DFE)

### Key Benefits

- Patented seal technology for optimal air cleaning while minimizing emissions
- Cylindrically shaped cartridge: proprietary washer secures against end pan and around collector mast
- Round profile creates consistent pleat spacing: better airflow and cleaning capability
- Single depth and double depth configurations



### Performance Data and Filter Facts

- Permeability:
  - 20 cfm/ft<sup>2</sup> (Protura® offering)
  - 21 cfm/ft<sup>2</sup> (Spunbond offering)
  - 8.5 cfm/ft<sup>2</sup> (Preveil® PTFE offering)
- Nominal Filter Media Area:
  - 207 ft<sup>2</sup> (Protura offering)
  - 110 ft<sup>2</sup> (Spunbond offering)
  - 110 ft<sup>2</sup> (Preveil PTFE offering)
- Pleat Depth: 1.75"
- Maximum Temperature: 180°F / 82°C

### Available Medias:

- Cellulose Protura nanofiber – MERV 15
- Cellulose Protura nanofiber Fire Retardant – MERV 15
- Spunbond polyester – MERV 10
- Spunbond polyester Preveil EPTFE membrane – MERV 16

\*Downflo is a registered trademark of Donaldson Company Inc.



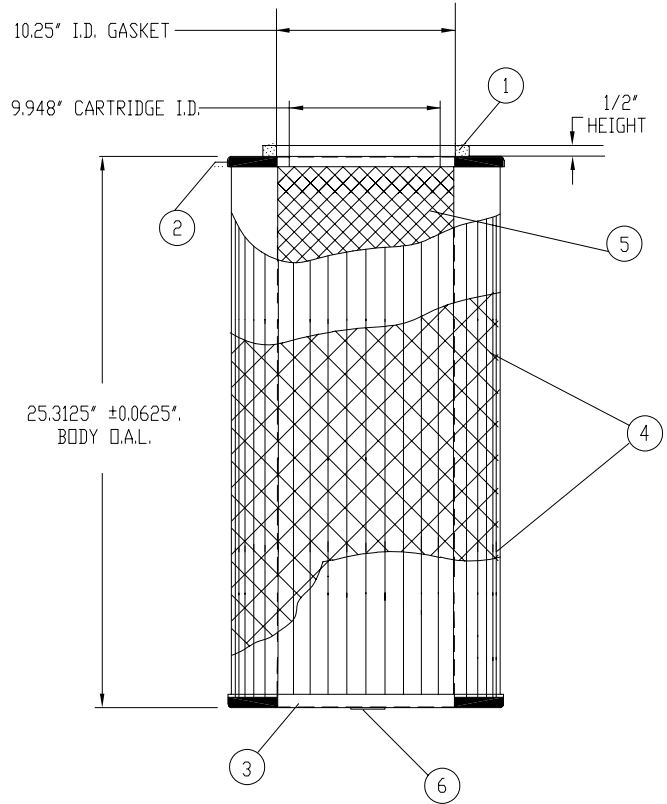
# Fact Sheet

## BHA® Replacement Cartridge for the \*Downflo Evolution (DFE)

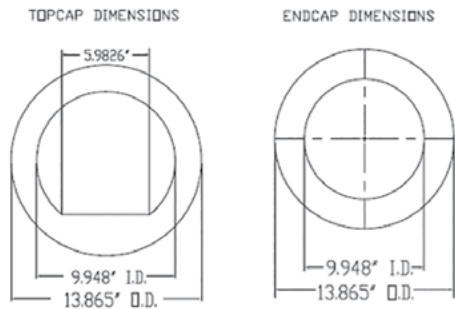
### Filter Construction and Material Specs:

1. Gasket, EPDM/Neoprene, 10.25" I.D.
2. Topcap 13.865" O.D. X 9.948" I.D., galvanized steel (open)
3. Endcap 13.865" O.D. X 9.90" X 2.0" I.D., galvanized steel (closed/flat assembly)
  - Configuration A: Endcap 13.865" O.D. X 9.948" I.D., Galvanized steel (open)
4. Outer core: galvanized expanded metal or reinforcement straps
5. Inner core: galvanized expanded metal
6. Proprietary seal washer, neoprene

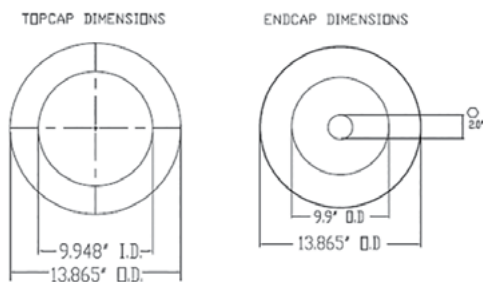
Applies to NF44650, NF44650A, & NF44650B configurations



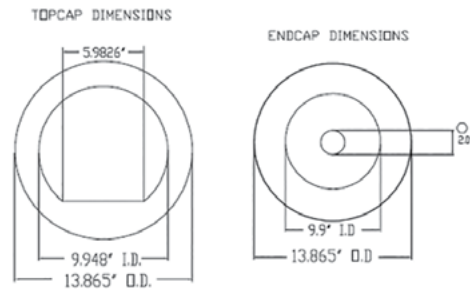
### Double Depth Filter Configuration A



### Double Depth Filter Configuration B



### Single Depth Filter Configuration



\*Downflo is a registered trademark of Donaldson Company Inc.

